



GOQLED
powered by **SAMSUNG** america



www.GOQLEDAmerica.com



CIRA - M-2BC048



Features

- Most Preferred Best seller LED module : CE, UL, RoHS Certified
- Power Consumption : 0.48W
- LED provided by DK1
- SMD LED mounted : Made in Korea
- LED Driver : Constant Voltage Driving System
- Max. 50 modules in series
- Fabricated with a CAP TYPE Optical Lens
- Each unit can be used to cut.
- Best Viewing Angle : **150°**

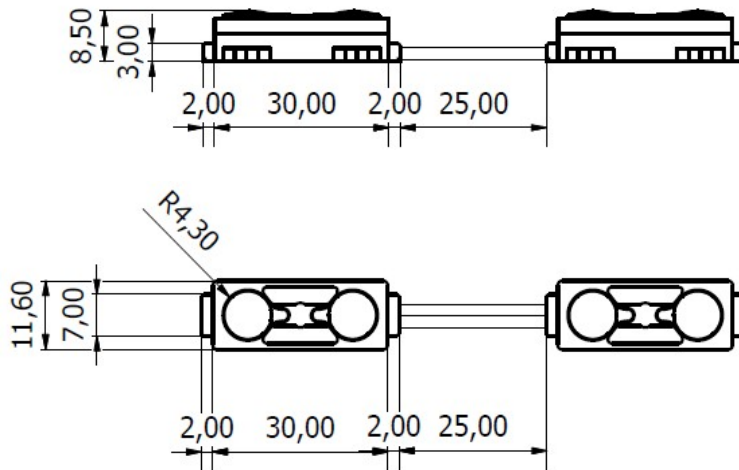
Enhanced Function

- Stylish Appearance design : CAP TYPE
- Design for Humid & Waterproof : IP68
- Easy Installation & Maintenance

Applications

- * Narrow and Close-fitting Channel letters
- * Flex light Box illumination
- * Duplex light Box illumination

Dimension



Specification

Item	Value	Unit
Product No.	GOQ M-2BC048	
Power Consumption	0.48	Watt
Input Voltage	12	VDC
Input Current	40	mA
View Angle	150	°
Luminous intensity	5	lm(Typ.)
CRI	80	%
Module Pitch	25	mm
Size	34 X 11.6 X 8.5	mm
Weight	3.8	g
Max. in Series	50	EA
Operating Temp	- 30 ~ 85	°C
Storage Temp	- 40 ~ 100	°C
Waterproof	IP68	
Cable	UL, 20AWG 300V/80°C	
Case materials	UL, ABS, V0-class	
Lens materials	UL, SAN, V0-class	

LED Specification

Absolute Maximum Ratings

(Ta=25°C)

Item	Symbol	Absolute Maximum Rating	Unit
Forward Current	I_F	60	mA
Pulse Forward Current *1)	I_{FP}	180	mA
Reverse Voltage	V_R	5	V
Power Dissipation	P_D	128	mW
Operating Temperature	T_{opr}	-30~+85	°C
Storage Temperature	T_{stg}	-40~+100	°C

*1) I_{FP} conditions : Pulse with $t_w \leq 0.1\text{ms}$, Duty ratio $\leq 1/10$

※ These values are based on 3 die performance

Electro-Optical Characteristics

(Ta=25°C)

Item	Symbol	Condition	Min.	Typ.	Max.	Unit
Forward Voltage	VF1	$I_F=40\text{mA}$	3.0		3.2	V
	VF2	$I_F=10\mu\text{A}$	1.5		2.0	
Luminous intensity	I_V	$I_F=40\text{mA}$	400		600	Mcd
Color Temperature	WD	$I_F=40\text{mA}$	450		454	nm
Reverse Voltage (1-die)	I_R	$V_R=5\text{V}$			10	μA
Half Angle	$\theta_{\frac{1}{2}}$	$I_F=40\text{mA}$		± 60		Deg

Viewing Radiation Characteristics

