



CIRA-M-2GC048-GREEN



## Features:

- Most Preferred Best seller LED module : CE, UL, RoHS Certified
- Power Consumption : 0.48W
- LED provided by DK1
- SMD LED mounted : Made in Korea
- LED Driver : Constant Voltage Driving System
- Max. 50 modules in series
- Fabricated with a CAP TYPE Optical Lens
- Each unit can be used to cut.
- Best Viewing Angle : **150°**

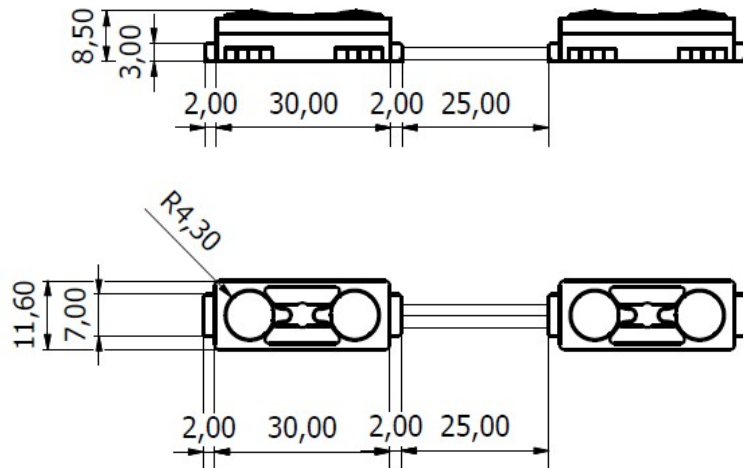
## Enhanced Function

- Stylish Appearance design : CAP TYPE
- Design for Humid & Waterproof : IP68
- Easy Installation & Maintenance

## Applications

- \* Narrow and Close-fitting Channel letters
- \* Flex light Box illumination
- \* Duplex light Box illumination

## < Dimension >



## < Specification >

Item	Value	Unit
Product No.	M-2GC048	
Power Consumption	0.48	Watt
Input Voltage	12	VDC
Input Current	40	mA
View Angle	150	°
Luminous intensity	20	lm(Typ.)
CRI	80	%
Module Pitch	25	mm
Size	34 X 11.6 X 7.4	mm
Weight	3.8	g
Max. in Series	50	EA
Operating Temp	- 30 ~ 60	°C
Storage Temp	- 30 ~ 70	°C
Waterproof	IP68	
Cable	UL, 20AWG 300V/80°C	
Case materials	UL, ABS, HB-class	
Lens materials	UL, SAN, HB-class	

# < LED Specification >



## Absolute Maximum Ratings

(Ta=25°C)

Item	Symbol	Absolute Maximum Rating	Unit
Forward Current	$I_F$	60	mA
Pulse Forward Current *1)	$I_{FP}$	180	mA
Reverse Voltage	$V_R$	5	V
Power Dissipation	$P_D$	132	mW
Operating Temperature	$T_{opr}$	-30~+85	°C
Storage Temperature	$T_{stg}$	-40~+100	°C

\*1)  $I_{FP}$  conditions : Pulse with  $t_w \leq 0.1ms$ , Duty ratio  $\leq 1/10$

※ These values are based on 3 die performance

## Electro-Optical Characteristics

(Ta=25°C)

Item	Symbol	Condition	Min.	Typ.	Max.	Unit
Forward Voltage	VF1	$I_F=40mA$	2.0		2.2	V
	VF2	$I_F=10\mu A$	1.5		2.0	
Luminous intensity	V	$I_F=40mA$	1400		1600	Mcd
Color Temperature	WD	$I_F=40mA$	619		626	nm
Reverse Voltage (1-die)	$I_R$	$V_R=5V$			10	$\mu A$
Half Angle	$\theta_{\frac{1}{2}}$	$I_F=40mA$		$\pm 60$		Deg

## Viewing Radiation Characteristics

