

MODEL GREEN GOQ 3 LED C-2835-3GT072



Features

Most Preferred Best seller LED module : CE, UL, RoHS Certified

Power Consumption : 0.72W

LED provided by BRTLLED

SMD LED mounted : Made in Korea

LED Driver : Constant Voltage Driving System

Max. 50 modules in series

Fabricated with a CAP TYPE Optical Lens

Each unit can be used to cut.

Best Viewing Angle : **175°**

Enhanced Function

Stylish Appearance design : CAP TYPE

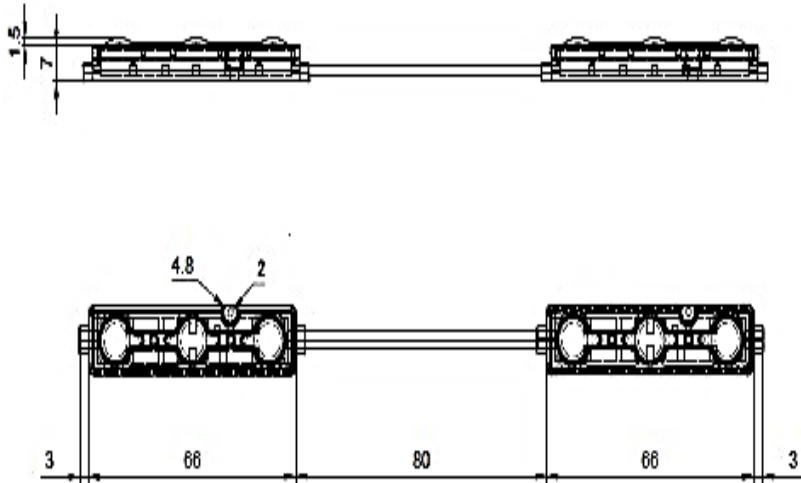
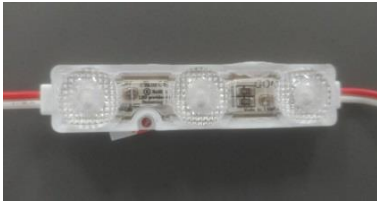
Design for Humid & Waterproof : IP68

Easy Installation & Maintenance

Applications

- * Normal size Channel letters
- * Flex light Box illumination
- * Duplex light Box illumination

Dimension



Specification

Item	Value	Unit
Product No.	GOQ 3 LED G SPECTRUM	
Power Consumption	0.72	Watt
Input Voltage	12	VDC
Input Current	60	mA
View Angle	175	°
Luminous intensity	20	lm(Typ.)
CRI	80	%
Module Pitch	80	mm
Size	66 X 15 X 8.5	mm
Weight	8	g
Max. in Series	50	EA
Operating Temp	- 30 ~ 85	°C
Storage Temp	- 40 ~ 100	°C
Waterproof	IP68	
Cable	UL, 20AWG 300V/80°C	
Case materials	UL, ABS, V0-class	
Lens materials	UL, CAN, V0 class	

LED Specification

◆ Absolute maximum ratings at Ta=25°C

Parameters	Symbol	Value	Unit
Power Dissipation	Pd	120	mW
Forward Current	IF	60	mA
Pulse Forward Current	IFP	100	mA
Reverse Voltage	VR	5	V
Electrostatic Discharge	ESD	2000(HBM)	V
Operating Temperature	Topr	-40 ~ +85 °C	°C
Storage Temperature	Tstg	-40 ~ +100 °C	°C

◆ Electro-optical characteristics at Ta=25°C

Item	Symbol	Mix	Typ	Max	Unit	Conditions
Forward voltage	VF	2.0		2.4	V	IF=60mA
Reverse current	IR	--	--	5	μ A	VR = 5V
Dominant Wavelength	λ d	620		625	nm	IF=60mA
Luminous intensity	IV	2000		2400	mcd	IF=60mA

NOTE: (Tolerance: Iv ±10%, λd ±2nm, Vf ±0.05V)

Spectral Distribution

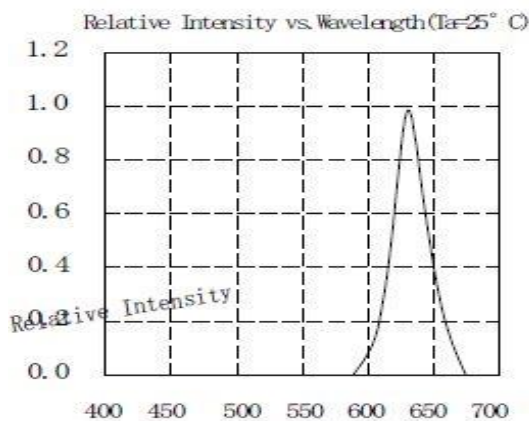
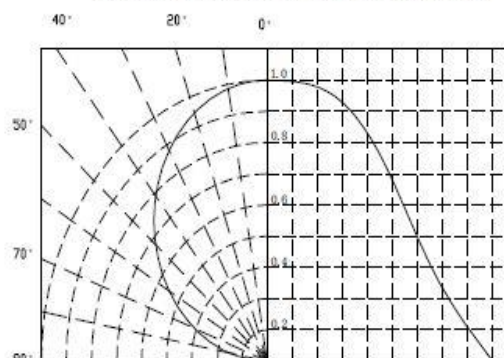


Diagram characteristics of radiation



Wavelength[nm]

0° 20° 40° 60° 80° 100°