



# GOQLED

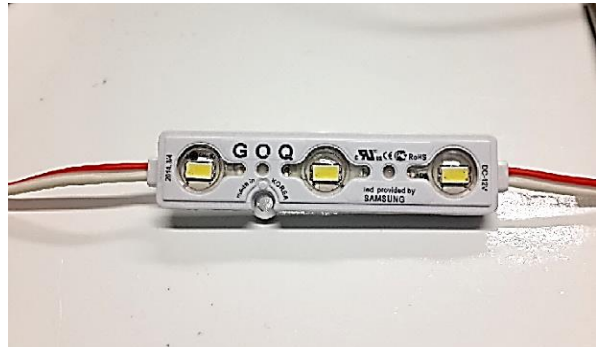
powered by SAMSUNG america



[www.GOQLEDAmerica.com](http://www.GOQLEDAmerica.com)



CIRA - 3WC108-3500



## Features

- Most Preferred Best seller LED module : CE, UL, RoHS Certified
- Power Consumption : .1.08 Watts
- LED provided by SAMSUNG(LED Dimension : 5.6 X 3.0 X 0.8 mm)
- SMD LED mounted : Made in Korea
- LED Driver : Constant Voltage Driving System
- Max. 50 modules in series
- Fabricated with a CAP TYPE Optical Lens
- Each unit can be used to cut.
- Best Viewing Angle : **150°**

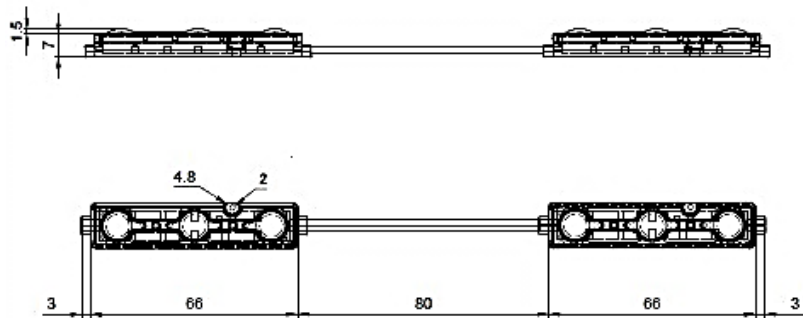
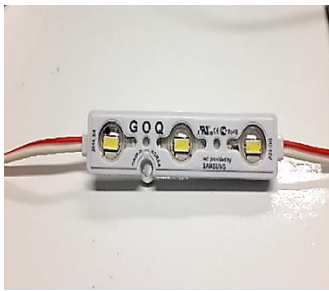
## Enhanced Function

- Stylish Appearance design : CAP TYPE
- Design for Humid & Waterproof : IP68
- Easy Installation & Maintenance

## Applications

- \* Normal size Channel letters
- \* Flex light Box illumination
- \* Duplex light Box illumination

## Dimension



## Specification

Item	Value	Unit
Product No.	GOQ 3WC072-3500	
Power Consumption	1.08	Watt
Input Voltage	12	VDC
Input Current	90	mA
View Angle	150	°
Luminous intensity	157	lm(Typ.)
CRI	80	%
Module Pitch	80	mm
Size	66 X 15 X 8.5	mm
Weight	8	g
Max. in Series	50	EA
Operating Temp	- 30 ~ 60	°C
Storage Temp	- 30 ~ 70	°C
Waterproof	IP68	
Cable	UL, 20AWG 300V/80°C	
Case materials	UL, ABS, HB-class	
Lens materials	UL, SAN, HB-class	

# LED Specification

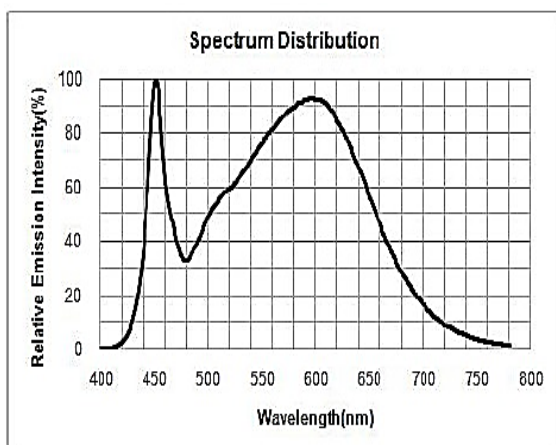
## Absolute Maximum Ratings

Item	Symbol	Rating	Condition
Operating temperature range	T <sub>op</sub>	-40℃ ~ +85℃	-
Storage temperature range	T <sub>stg</sub>	-40℃ ~ +120℃	-
LED junction temperature	T <sub>j</sub>	110℃	-
Forward Current	I <sub>F</sub>	150 mA	-
Peak Pulsed Forward Current	I <sub>FP</sub>	300 mA	Duty 1/10 pulse width 10ms
Thermal resistance	R <sub>th, j-s</sub>	16℃/W	Junction to solder point
Assembly Process Temperature	-	260℃, < 10sec	-
ESD	-	5kV	HBM

## Characteristics(LED Dimension : 5.6 X 3.0 X 0.8 mm)

Item	Unit	Nominal CCT	Product Code	Rank	Min	Typ	Max
Forward Voltage <sup>1)</sup> (V <sub>F</sub> ) (@85 mA, T <sub>s</sub> = 25℃)	V	-	-	AZ	2.70	-	2.80
				A1	2.80	-	2.90
				A2	2.90	-	3.00
				A3	3.00	-	3.10
				A4	3.10	-	3.20
Luminous Intensity <sup>2)</sup> (I <sub>v</sub> ) (@85 mA, T <sub>s</sub> = 25℃)	lm	3500K	*WAU ☆ SB	S2	27.0	-	29.0
			*WAU ☆ SC	S3	29.0	-	31.0
			*WAU ☆ SD	S4	31.0	-	33.0
			*WAU ☆ SE	S5	33.0	-	35.0
Reverse Voltage (@5 mA, T <sub>s</sub> = 25℃)	V	-	-	-	0.7	-	1.2

## Spectrum (T<sub>s</sub>=25℃)



## Radiation Characteristics

