



GOQLED
powered by SAMSUNG america



www.GOQLEDAmerica.com



CIRA-3RS072
Shallow



Features

- Most Preferred Best seller LED module : CE, UL, RoHS Certified
- Power Consumption : 0.72W
- LED provided by DK1
- SMD LED mounted : Made in Korea
- LED Driver : Constant Voltage Driving System
- Max. 50 modules in series
- Design of a new and unique CAP TYPE Optical Lens
- Each unit can be used to cut.
- Best Viewing Angle : **160°**

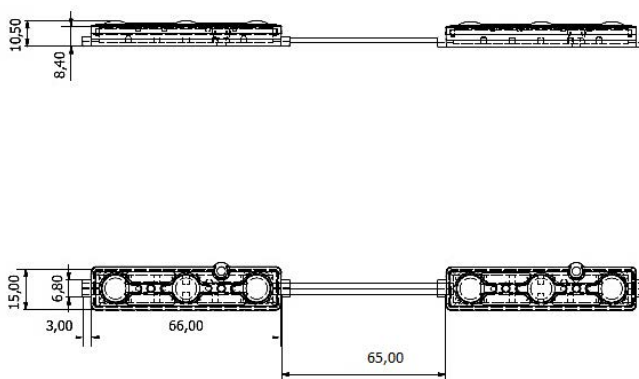
Enhanced Function

- Stylish Appearance design : FROSTED TYPE of Optical Lens
- Design for Humid & Waterproof : IP68
- Easy Installation & Maintenance

Applications

- * Narrow size Channel letters
- * Flex light Box illumination
- * Duplex light Box illumination

Dimension



Specification

| Item | Value | Unit |
|--------------------|------------------------|----------|
| Product No. | GOQ 3 LED(RED)_FROSTED | |
| Power Consumption | 0.72 | Watt |
| Input Voltage | 12 | VDC |
| Input Current | 60 | mA |
| View Angle | 160 | ° |
| Luminous intensity | 55 | lm(Typ.) |
| CRI | | % |
| Module Pitch | 45 | mm |
| Size | 66 X 15 X 10.5 | mm |
| Weight | 8 | g |
| Max. in Series | 50 | EA |
| Operating Temp | - 30 ~ 60 | °C |
| Storage Temp | - 30 ~ 70 | °C |
| Waterproof | IP68 | |
| Cable | UL, 20AWG 300V/80°C | |
| Case materials | UL, ABS, HB-class | |
| Lens materials | UL, PC, HB-class | |

LED Specification

Absolute Maximum Ratings

(Ta=25°C)

| Item | Symbol | Absolute Maximum Rating | Unit |
|---------------------------|-----------|-------------------------|------|
| Forward Current | I_F | 90 | mA |
| Pulse Forward Current *1) | I_{FP} | 270 | mA |
| Reverse Voltage | V_R | 5 | V |
| Power Dissipation | P_D | 252 | mW |
| Operating Temperature | T_{opr} | -30~+85 | °C |
| Storage Temperature | T_{stg} | -40~+100 | °C |

*1) I_{FP} conditions : Pulse with $t_w \leq 0.1$ ms, Duty ratio $\leq 1/10$

※ Care is to be taken that Power Dissipation dose not exceed the Absolute Maximum Rating of the product.

※ These values are based on 3 die performance

Characteristics

(Ta=25°C)

| Item | Symbol | Condition | Min. | Typ. | Max. | Unit |
|---------------------|------------------------|-------------|-------|----------|-------|------|
| Forward Voltage | V_F | $I_F=60$ mA | 1.8 | | 2.4 | V |
| Reverse Current | I_R | $V_R=5$ V | | | 10 | uA |
| Luminous Intensity | I_v | $I_F=60$ mA | 1,600 | | 2,200 | mcd |
| Dominant Wavelength | λ_D | $I_F=60$ mA | 620 | | 626 | nm |
| Half Angle | $\theta_{\frac{1}{2}}$ | $I_F=60$ mA | | ± 60 | | deg |

※ Voltage are tested at a current pulse duration of 1ms and an accuracy of ± 0.05 V

※ Luminous Intensity is tested at a current pulse duration of 10ms and an accuracy of $\pm 10\%$.

Radiation Characteristics

