



GOQLED
powered by **SAMSUNG** america

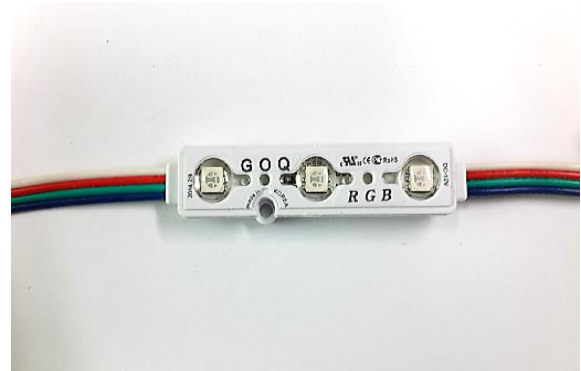


www.GOQLEDAmerica.com



MODEL : GOQ 3RGBC072
3 RGB

Features



Most Preferred Best seller LED module : CE, UL, RoHS Certified

Power Consumption : 0.72W

LED provided by DK1

SMD LED mounted : Made in Korea

LED Driver : Constant Voltage Driving System

Max. 50 modules in series

Fabricated with a CAP TYPE Optical Lens

Each unit can be used to cut.

Best Viewing Angle : **150°**

Enhanced Function

Stylish Appearance design : CAP TYPE

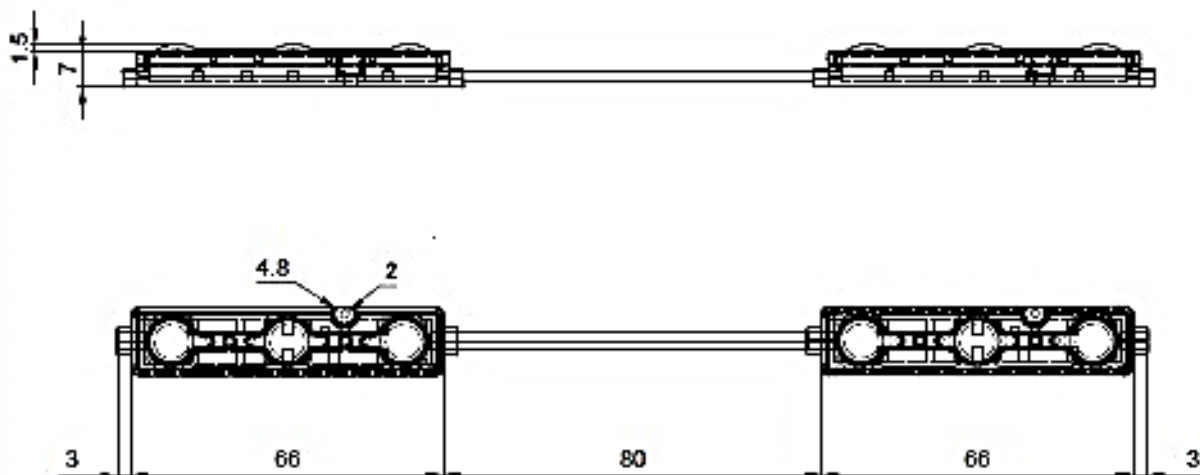
Design for Humid & Waterproof : IP68

Easy Installation & Maintenance

Applications

- * Normal size Channel letters
- * Flex light Box illumination
- * Duplex light Box illumination

Dimensions



Specifications

Item	Value	Unit
Product No.	GOQ 3RGBC072	
Power Consumption	0.72	Watt
Input Voltage	12	VDC
Input Current	60	mA
View Angle	150	°
Luminous intensity	-	lm(Typ.)
CRI	80	%
Module Pitch	80	mm
Size	66 X 15 X 8.5	mm
Weight	8	g
Max. in Series	50	EA
Operating Temp	- 30 ~ 85	°C
Storage Temp	- 40 ~ 100	°C
Waterproof	IP68	
Cable	UL, 20AWG 300V/80°C	
Case materials	UL, ABS, V0-class	
Lens materials	UL, SAN, V0-class	

LED Specification

Absolute Maximum Ratings

(Ta=25°C)

Item	Symbol	Absolute Maximum Rating			Unit
		Blue	Green	Red	
Forward Current	I_F	30	30	30	mA
*1 Pulse Forward Current	I_{FP}	90	90	90	mA
Reverse Voltage	V_R	5			V
Power Dissipation	P_D	66	102	102	mW
Operating Temperature	T_{opr}	-30~+85			°C
Storage Temperature	T_{sto}	-40~+100			°C

*1) I_{FP} conditions : Pulse with $t_w \leq 0.1\text{ms}$, Duty ratio $\leq 1/10$

* Care is to be taken that Power Dissipation dose not exceed the Absolute Maximum Rating of the product.

Electro-Optical Characteristics

(Ta=25°C)

Parameter	Color	Symbol	Test Condition	Min	Max	Units
Forward Voltage*1	Red	V_F	$I_F = 20\text{mA}$	1.8	2.2	V
	Green			3.0	3.4	
	Blue			2.98	3.4	
Luminous Intensity*2	Red	I_V	$I_F = 20\text{mA}$	500	700	mcd
	Green			1100	1400	
	Blue			250	350	
Dominant Wavelength*3	Red	λ_D	$I_F = 20\text{mA}$	618	622	nm
	Green			522	526	
	Blue			457	462	

*1) Voltage are tested at a current pulse duration of 1ms and an accuracy of $\pm 0.05\text{V}$

*2) Luminous Intensity is tested at a current pulse duration of 10ms and an accuracy of $\pm 10\%$.

*3) The measurement tolerance of the dominant wavelength is 2nm

Spectrum

Viewing Radiation Characteristics

