



CIRA – 3GC072



Features

- Most Preferred Best seller LED module : CE, UL, RoHS Certified
- Power Consumption : 0.72W
- LED provided by DK1
- SMD LED mounted : Made in Korea
- LED Driver : Constant Voltage Driving System
- Max. 50 modules in series
- Fabricated with a CAP TYPE Optical Lens
- Each unit can be used to cut.
- Best Viewing Angle : **150°**

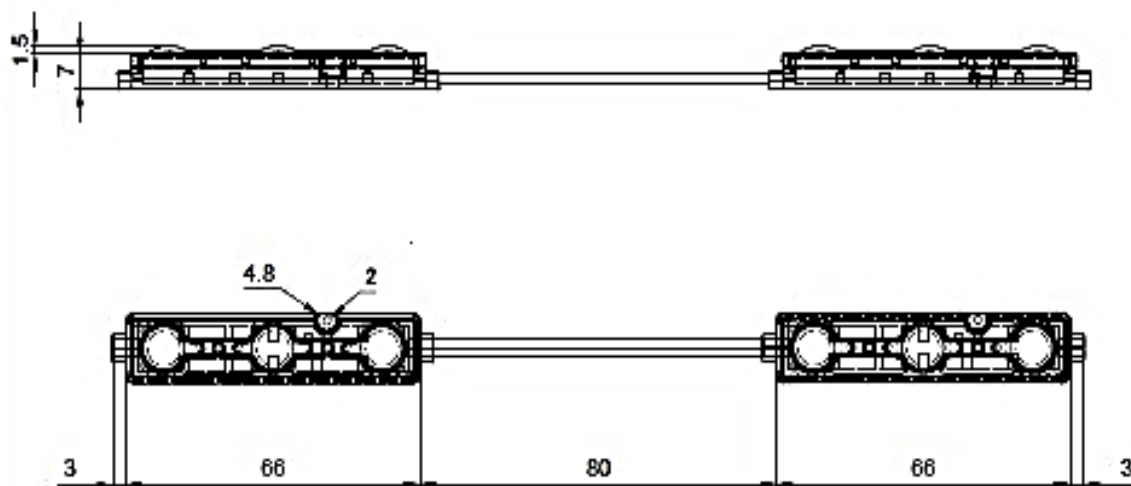
Enhanced Function

- Stylish Appearance design : CAP TYPE
- Design for Humid & Waterproof : IP68
- Easy Installation & Maintenance

Applications

- * Normal size Channel letters
- * Flex light Box illumination
- * Duplex light Box illumination

Dimensions



Specifications

Item	Value	Unit
Product No.	GOQ 3GC072	
Power Consumption	0.72	Watt
Input Voltage	12	VDC
Input Current	60	mA
View Angle	150	°
Luminous intensity	48	lm(Typ.)
CRI	80	%
Module Pitch	80	mm
Size	66 X 15 X 8.5	mm
Weight	8	g
Max. in Series	50	EA
Operating Temp	- 30 ~ 85	°C
Storage Temp	- 40 ~ 100	°C
Waterproof	IP68	
Cable	UL, 20AWG 300V/80°C	
Case materials	UL, ABS, V0-class	
Lens materials	UL, SAN, V0-class	

LED Specifications

Absolute Maximum Ratings

(Ta=25°C)

Item	Symbol	Absolute Maximum Rating	Unit
Forward Current	I_F	90	mA
Pulse Forward Current *1)	I_{FP}	270	mA
Reverse Voltage	V_R	5	V
Power Dissipation	P_D	252	mW
Operating Temperature	T_{opr}	-30~+85	°C
Storage Temperature	T_{stg}	-40~+100	°C

*1) I_{FP} conditions : Pulse with $t_w \leq 0.1$ ms, Duty ratio $\leq 1/10$

※ Care is to be taken that Power Dissipation dose not exceed the Absolute Maximum Rating of the product.

※ These values are based on 3 die performance

Electro-Optical Characteristics

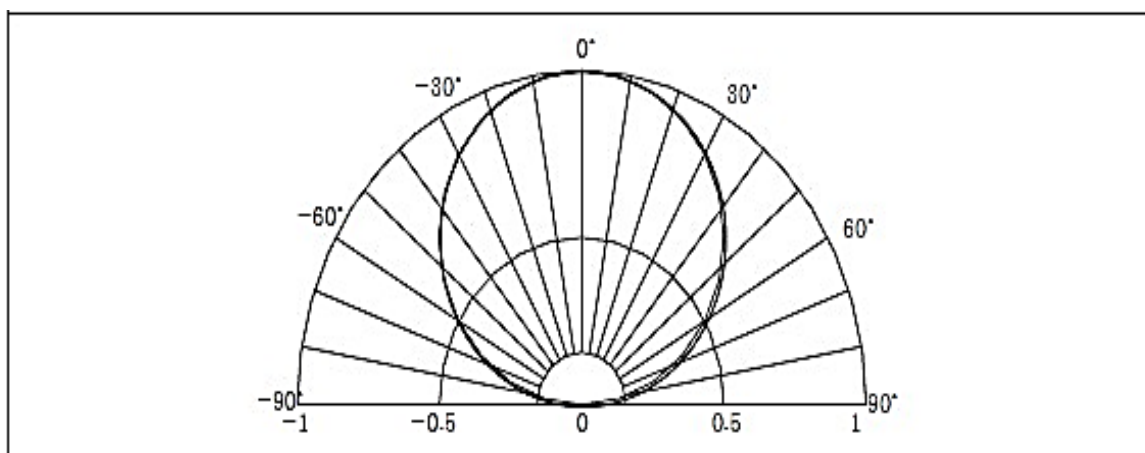
(Ta=25°C)

Item	Symbol	Condition	Min.	Typ.	Max.	Unit
Forward Voltage	V_F	$I_F=60$ mA	1.8		2.4	V
Reverse Current	I_R	$V_R=5$ V			10	uA
Luminous Intensity	I_v	$I_F=60$ mA	1,600		2,200	mcd
Dominant Wavelength	λ_D	$I_F=60$ mA	620		626	nm
Half Angle	$\theta_{\frac{1}{2}}$	$I_F=60$ mA		± 60		deg

※ Voltage are tested at a current pulse duration of 1ms and an accuracy of ± 0.05 V

※ Luminous Intensity is tested at a current pulse duration of 10ms and an accuracy of $\pm 10\%$.

Viewing Radiation Characteristics



GOQLED
powered by SAMSUNG america

888-519-LEDS

www.GOQLEDAmerica.com