



LEDs POWERED BY  
**SAMSUNG**  
**LUNA**

LUNA-3WC072-5000



## Features

Best selling LED module : CE, UL, RoHS Certified Power

Consumption : 0.72W

LED provided by SAMSUNG

SMD LED mounted : Made in Korea

LED Driver : Constant Voltage Driving System

Max. 50 modules in series

Fabricated with a CAP TYPE Optical Lens

Each unit can be used to cut.

Best Viewing Angle : **150°**

## Enhanced Function

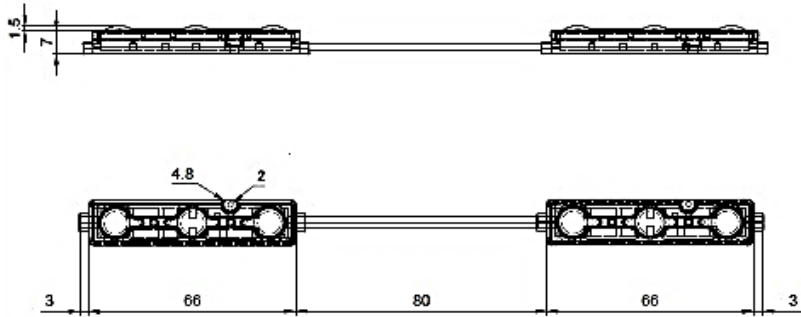
Stylish appearance & design : CAP TYPE

Design for Humid & Waterproof : IP68 easy installation & maintenance

## Applications

- \* Normal size channel letters
- \* Flex light box illumination
- \* Duplex light box illumination

## Dimension



## Specification

Item	Value	Unit
Product No.	LUNA-3WC072-5000	
Power Consumption	0.72	Watt
Input Voltage	12	VDC
Input Current	60	mA
View Angle	150	°
Luminous intensity	110	lm(Typ.)
CRI	83	%
Module Pitch	80	mm
Size	66 X 15 X 8.5	mm
Weight	8	g
Max. in Series	50	EA
Operating Temp	- 30 ~ 85	°C
Storage Temp	- 40 ~ 100	°C
Waterproof	IP68	
Cable	UL, 20AWG 300V/80°C	
Case materials	UL, ABS, V0-class	
Lens materials	UL, SAN, V0-class	

**GOQLED**  
powered by **SAMSUNG** america

**888-519-LEDS**

[www.GOQLEDAmerica.com](http://www.GOQLEDAmerica.com)

# LED Specification

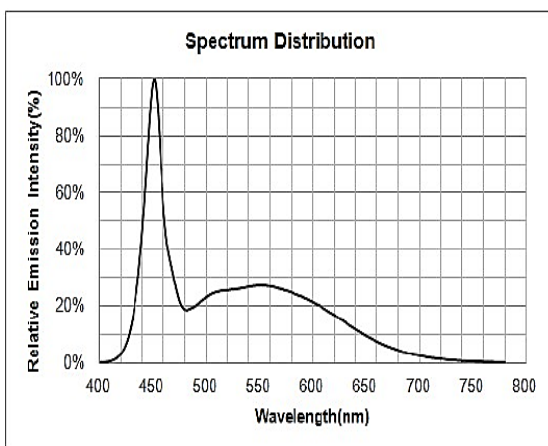
## Absolute Maximum Ratings

Item	Symbol	Rating	Unit	Condition
Operating Temperature	$T_a$	-40 ~ +85	°C	-
Storage Temperature	$T_{stg}$	-40 ~ +100	°C	-
LED Junction Temperature	$T_j$	110	°C	-
Forward Current	$I_f$	150	mA	-
Peak Pulsed Forward Current	$I_{fp}$	300	mA	Duty 1/10, pulse width 10 ms
Assembly Process Temperature	-	260 <10	°C s	-

## Characteristics

Item	Unit	Nominal CCT (K)	CRI (R <sub>a</sub> ) Min.	Rank	Bin	Min.	Typ.	Max.	cd.
Forward Voltage (V <sub>f</sub> )	V	CCT	80	BA	A2	2.9	-	3.0	-
					A3	3.0	-	3.1	-
					A4	3.1	-	3.2	-
					A5	3.2	-	3.3	-
					A6	3.3	-	3.4	-
					Luminous Flux (Φ <sub>v</sub> )	lm	10000	75	A0
S2	50.0	-	55.0	14.5~16.0					
S3	55.0	-	-	16.0~					
Reverse Voltage (@ 10 uA)	V	-	-	-	-	10.0	-	-	-
Special CRI (R9)	-	-	-	-	-	0	-	-	-
Thermal Resistance (junction to solder point)	°C/W	-	-	-	-	-	24	-	-
Beam Angle	°	-	-	-	-	-	120	-	-

## Spectrum (T<sub>s</sub>=25 °C)



## Radiation Characteristics

