



MODEL : GOQ 3 RED LED
C-2835-3RC072

FEATURES:

Most Preferred Best seller LED module : CE, UL, RoHS Certified
Power Consumption : 0.72W
LED provided by BRTLED
SMD LED mounted : Made in Korea
LED Driver : Constant Voltage Driving System
Max. 50 modules in series
Fabricated with a CAP TYPE Optical Lens
Each unit can be used to cut.
Best Viewing Angle : **150°**

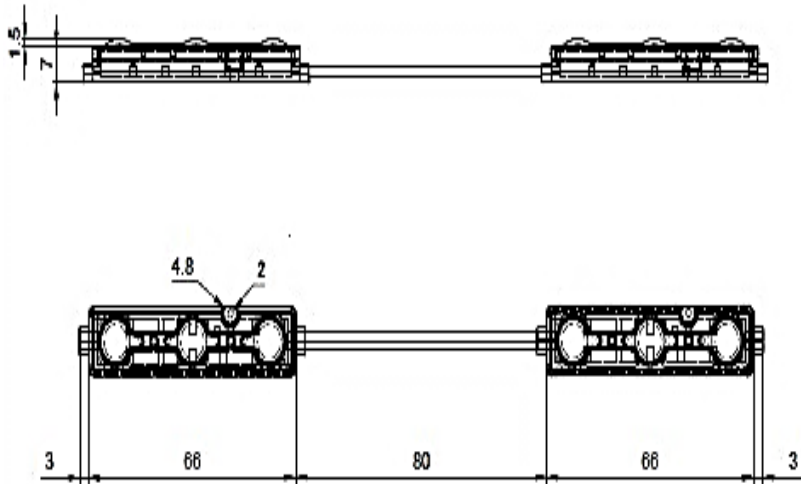
Enhanced Function

Stylish Appearance design : CAP TYPE
Design for Humid & Waterproof : IP68
Easy Installation & Maintenance

Applications

- * Normal size Channel letters
- * Flex light Box illumination
- * Duplex light Box illumination

Dimensions



Specifications

Item	Value	Unit
Product No.	GOQ 3 LED(REDA2835)	
Power Consumption	0.72	Watt
Input Voltage	12	VDC
Input Current	60	mA
View Angle	150	°
Luminous intensity	26	lm(Typ.)
CRI	80	%
Module Pitch	80	mm
Size	66 X 15 X 8.5	mm
Weight	8	g
Max. in Series	50	EA
Operating Temp	- 30 ~ 85	°C
Storage Temp	- 40 ~ 100	°C
Waterproof	IP68	
Cable	UL, 20AWG 300V/80°C	
Case materials	UL, ABS, V0-class	
Lens materials	UL, SAN, V0-class	

LED Specifications

◆ Absolute maximum ratings at Ta=25°C

Parameters	Symbol	Value	Unit
Power Dissipation	Pd	120	mW
Forward Current	IF	60	mA
Pulse Forward Current	IFP	100	mA
Reverse Voltage	VR	5	V
Electrostatic Discharge	ESD	2000(HBM)	V
Operating Temperature	Topr	-40 ~ +85 °C	°C
Storage Temperature	Tstg	-40 ~ +100 °C	°C

◆ Electro-optical characteristics at Ta=25°C

Item	Symbol	Mix	Typ	Max	Unit	Conditions
Forward voltage	VF	2.0		2.4	V	IF=60mA
Reverse current	IR	--	--	5	μ A	VR = 5V
Dominant Wavelength	λ_d	620		625	nm	IF=60mA
Luminous intensity	IV	2000		2400	mcd	IF=60mA

NOTE: (Tolerance: $I_v \pm 10\%$, $\lambda_d \pm 2nm$, $V_f \pm 0.05V$)

Spectral Distribution

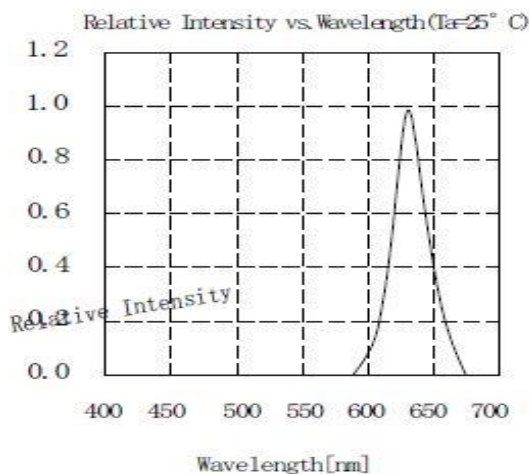


Diagram characteristics of radiation

