



WWW.GOQ.KR

MODEL : GOQ 3 LED  
BLUE 2835



### < Characteristic >

Most Preferred Best seller LED module : CE, UL, RoHS Certified

Power Consumption : 0.72W

LED provided by DK1

SMD LED mounted : Made in Korea

LED Driver : Constant Voltage Driving System

Max. 50 modules in series

Fabricated with a CAP TYPE Optical Lens

Each unit can be used to cut.

Best Viewing Angle : **150°**

### < Enhanced Function >

Stylish Appearance design : CAP TYPE

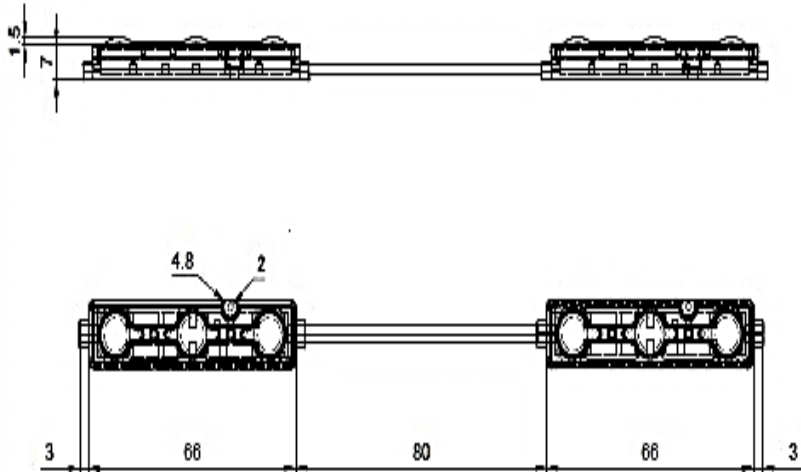
Design for Humid & Waterproof : IP68

Easy Installation & Maintenance

### < Applications >

- \* Normal size Channel letters
- \* Flex light Box illumination
- \* Duplex light Box illumination

## < Dimension >



## < Specification >

Item	Value	Unit
Product No.	GOQ 3 LED(BLUE2835)	
Power Consumption	0.72	Watt
Input Voltage	12	VDC
Input Current	60	mA
View Angle	150	°
Luminous intensity	21	lm(Typ.)
CRI	80	%
Module Pitch	80	mm
Size	66 X 15 X 8.5	mm
Weight	8	g
Max. in Series	50	EA
Operating Temp	- 30 ~ 85	°C
Storage Temp	- 40 ~ 100	°C
Waterproof	IP68	
Cable	UL, 20AWG 300V/80°C	
Case materials	UL, ABS, V0-class	
Lens materials	UL, SAN, V0-class	

# < LED Specification >

## ◆ Absolute maximum ratings at Ta=25°C

Parameters	Symbol	Value	Unit
Power Dissipation	Pd	120	mW
Forward Current	IF	60	mA
Pulse Forward Current	IFP	100	mA
Reverse Voltage	VR	5	V
Electrostatic Discharge	ESD	2000(HBM)	V
Operating Temperature	Topr	-40 ~ +85 °C	°C
Storage Temperature	Tstg	-40 ~ +100 °C	°C

## ◆ Electro-optical characteristics at Ta=25°C

Item	Symbol	Mix	Typ	Max	Unit	Conditions
Forward voltage	VF	3.0		3.4	V	IF=60mA
Reverse current	IR	--	--	5	μ A	VR = 5V
Dominant Wavelength	$\lambda_d$	460		465	nm	IF=60mA
Luminous intensity	IV	1200		1500	mcd	IF=60mA

**NOTE:** (Tolerance: Iv  $\pm$ 10%,  $\lambda_d$   $\pm$ 2nm, Vf  $\pm$ 0.05V)

