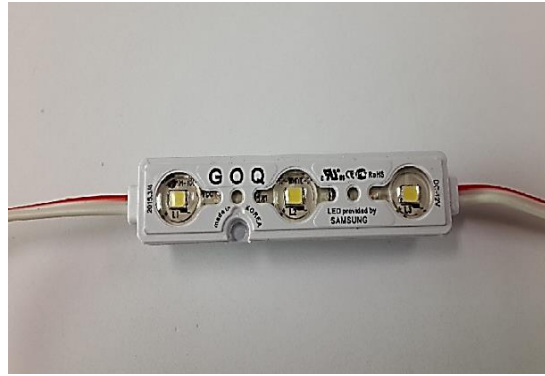


GOQLED
powered by **SAMSUNG** america
888-519-LEDS
www.GOQLEDAmerica.com

LUNA

LUNA-3WC072-6500



< Characteristic >

Best selling LED module : CE, UL, RoHS Certified Power
Consumption : 0.72W
LED provided by SAMSUNG
SMD LED mounted : Made in Korea
LED Driver : Constant Voltage Driving System
Max. 50 modules in series
Fabricated with a CAP TYPE Optical Lens
Each unit can be used to cut.
Best Viewing Angle : **150°**

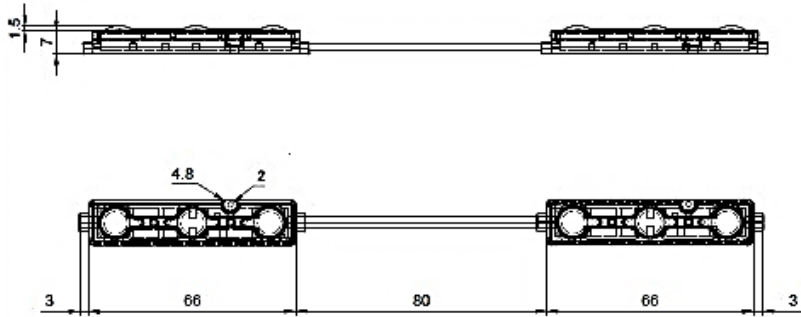
< Enhanced Function >

Stylish appearance & design : CAP TYPE
Design for Humid & Waterproof : IP68 easy installation & maintenance

< Applications >

- * Normal size channel letters
- * Flex light box illumination
- * Duplex light box illumination

< Dimension >



< Specification >

Item	Value	Unit
Product No.	LUNA-3WC072-6500	
Power Consumption	0.72	Watt
Input Voltage	12	VDC
Input Current	60	mA
View Angle	150	°
Luminous intensity	110	lm(Typ.)
CRI	83	%
Module Pitch	80	mm
Size	66 X 15 X 8.5	mm
Weight	8	g
Max. in Series	50	EA
Operating Temp	- 30 ~ 85	°C
Storage Temp	- 40 ~ 100	°C
Waterproof	IP68	
Cable	UL, 20AWG 300V/80°C	
Case materials	UL, ABS, V0-class	
Lens materials	UL, SAN, V0-class	

< LED Specification >



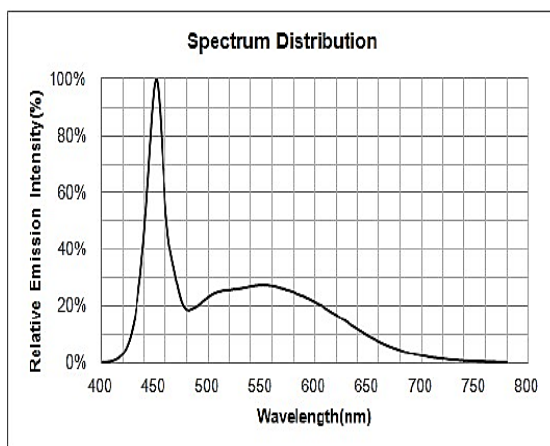
Absolute Maximum Ratings

Item	Symbol	Rating	Unit	Condition
Operating Temperature	T_a	-40 ~ +85	°C	-
Storage Temperature	T_{stg}	-40 ~ +100	°C	-
LED Junction Temperature	T_j	110	°C	-
Forward Current	I_f	150	mA	-
Peak Pulsed Forward Current	I_{fp}	300	mA	Duty 1/10, pulse width 10 ms
Assembly Process Temperature	-	260 <10	°C s	-

Characteristics

Item	Unit	Nominal CCT (K)	CRI (R _a) Min.	Rank	Bin	Min.	Typ.	Max.	cd.
Forward Voltage (V _f)	V	CCT	80	BA	A2	2.9	-	3.0	-
					A3	3.0	-	3.1	-
					A4	3.1	-	3.2	-
					A5	3.2	-	3.3	-
					A6	3.3	-	3.4	-
					Luminous Flux (Φ _v)	lm	10000	75	A0
S2	50.0	-	55.0	14.5~16.0					
S3	55.0	-	-	16.0~					
Reverse Voltage (@ 10 uA)	V	-	-	-	10.0	-	-	-	
Special CRI (R ₉)	-	-	-	-	0	-	-	-	
Thermal Resistance (junction to solder point)	°C/W	-	-	-	-	24	-	-	
Beam Angle	°	-	-	-	-	120	-	-	

Spectrum (T_s=25°C)



Radiation Characteristics

