

MODEL : GOQ 3WC072
3 White



Characteristics

Most Preferred Best seller LED module : CE, UL, RoHS Certified
Power Consumption : 0.72W
LED provided by SAMSUNG
SMD LED mounted : Made in Korea
LED Driver : Constant Voltage Driving System
Max. 50 modules in series
Fabricated with a CAP TYPE Optical Lens
Each unit can be used to cut.
Best Viewing Angle : **150°**

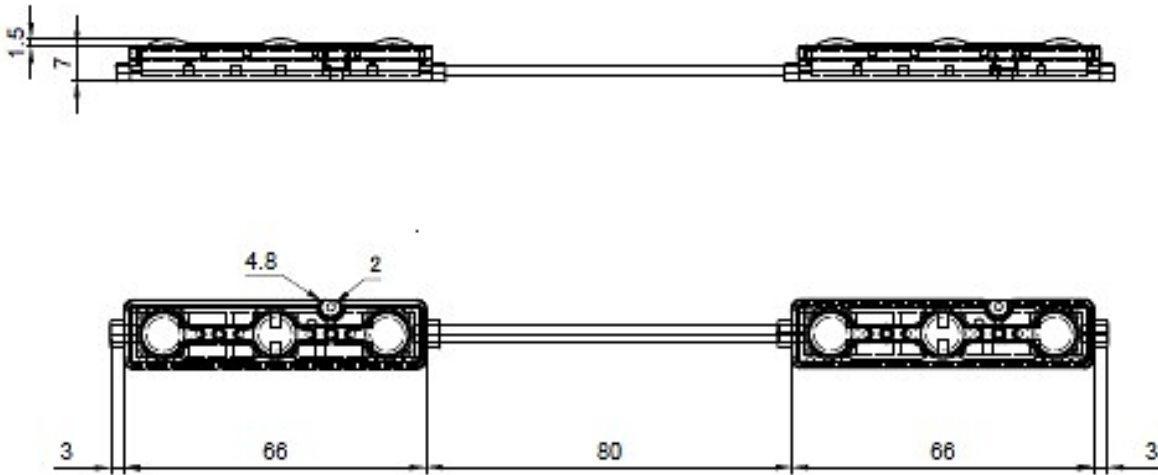
Enhanced Function

Stylish Appearance design : CAP TYPE
Design for Humid & Waterproof : IP68
Easy Installation & Maintenance

Applications

- * Normal size Channel letters
- * Flex light Box illumination
- * Duplex light Box illumination

Dimensions



Specifications

Item	Value	Unit
Product No.	GOQ 3WS072	
Power Consumption	0.72	Watt
Input Voltage	12	VDC
Input Current	60	mA
View Angle	150	°
Luminous intensity	69	lm(Typ.)
CCT(K)	6500	Kelvin
CRI	80	%
Module Pitch	80	mm
Size	66 X 15 X 8.5	mm
Weight	8	g
Max. in Series	50	EA
Operating Temp	- 30 ~ 85	°C
Storage Temp	- 40 ~ 100	°C
Waterproof	IP68	
Cable	UL, 20AWG 300V/80°C	
Case materials	UL, ABS, V0-class	
Lens materials	UL, SAN, V0-class	

LED Specification



Absolute Maximum Ratings

- 1). Operation Forward Current Per Chip..... 90 mA
- 2). Peak Pulsed Forward Current Per Chip..... 200 mA
(Duty 1/10 Pulse Width 10 ms)
- 3). Reverse Current..... 85 mA
- 4). Operating Temperature Range (T_{opr}) - 30 °C ~ 85 °C
- 5). Storage Temperature Range (T_{stg}) - 40 °C ~ 100 °C

Characteristics

Electrical/ Optical Characteristics

(T_a : 25 °C)

Item	Symbol	Conditions	Rank	Min.	Typ.	Max.	Unit	
Forward Voltage (*)	V_f	$I_f = 60 \text{ mA}$	BA	A1	3.0	-	3.1	V
				A2	3.1	-	3.2	
				A3	3.2	-	3.3	
				A4	3.3	-	3.4	
Reverse Voltage	V_r	$I_R = 10 \text{ mA}$	-	0.6	-	2.0	V	

Chromaticity Coordinate

(T_a : 25 °C)

Condition	Rank	Model Name	x				y			
$I_f = 60 \text{ mA}$	A3	SPMWHT5206N2BAA3S0	0.2725	0.2833	0.2799	0.2684	0.2564	0.2763	0.2826	0.2615

Luminous Intensity

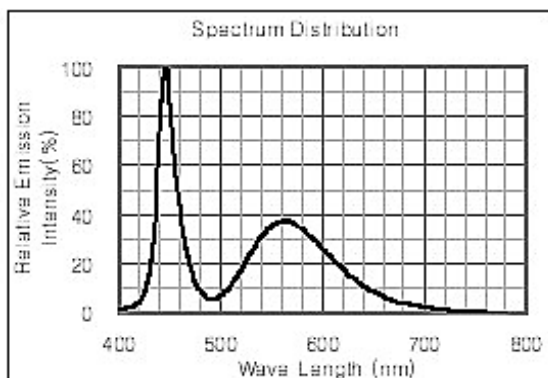
(T_a : 25 °C)

Symbol	Conditions	Rank	Min.	Typ.	Max.	Unit
I_v	$I_f = 60 \text{ mA}$	S0	5.0	6.0	7.0	cd

* Tolerance : $V_f: \pm 0.1 \text{ V}$, $I_v: \pm 5 \%$, $x, y: \pm 0.01$

* Luminous Intensity measuring equipment : CAS140CT

Spectrum ($T_s=25^\circ\text{C}$)



Viewing Radiation Characteristics

